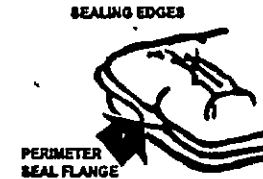
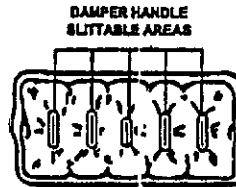
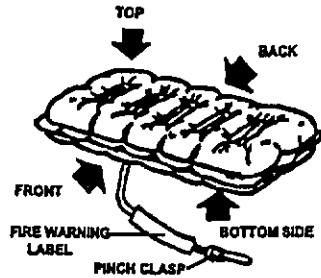
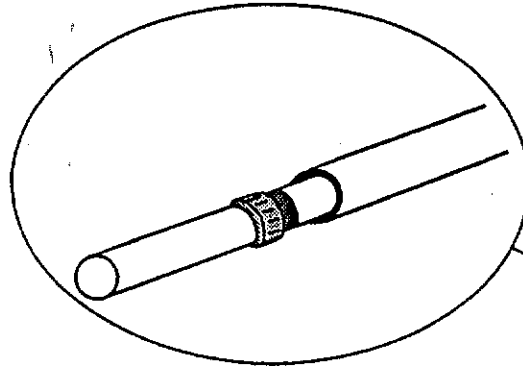


Davic DraftStopper™

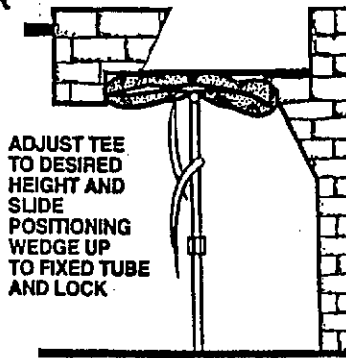
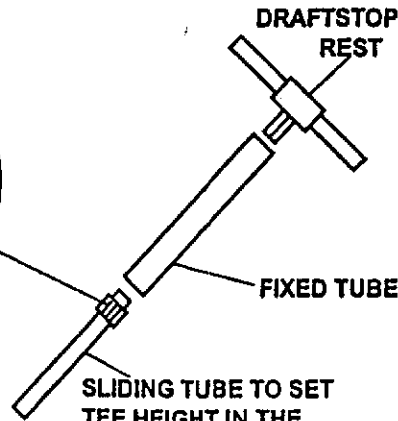


Davic DraftStopper™ TEE

The Tee device is used to provide a quick and clean installation of the Draftstopper. Because the firebox heights vary, the Tee is adjustable and has a locking positioning wedge to allow the Tee to fit your firebox. If the Tee is too long for your firebox, cut the sliding tube with a saw to desirable height. NOTE: The Draftstopper Tee can be painted to suit decor.



LOCKING POSITIONING WEDGE
WITH LOCKING SCREW TO SET THE DESIRED LENGTH



DRAFTSTOPPER INSTALLED



ATTIC STAIR COVER

stops air drafts saving you energy \$\$\$!
reflective shield installs in minutes!
THE ATTIC DOOR COVER THAT PUTS THE LID ON AIR LEAKS