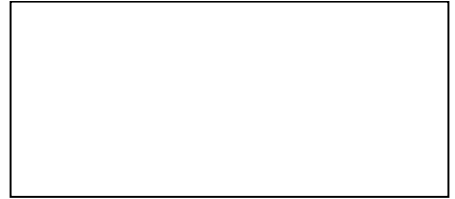


Thermo - Rite®

THE ORIGINATORS OF
TEMPERED GLASS FIREPLACE ENCLOSURES



OWNER'S MANUAL & INSTALLATION GUIDE

For Air Prism, Cameo, Classic, Décor, Heritage, Laser, Normandy, Park Avenue, Prism, Revere and Tradition Doors.

NEW FIREPLACES:

Acids and other chemicals used to clean masonry when new fireplace are built will emit gases that can corrode your enclosure's metal surfaces. These fumes are highly caustic and must be neutralized. To neutralize, wash new masonry with a mild solution of ammonia and water. Rinse thoroughly with water until ammonia is removed. Thermo-Rite assumes no responsibility for these acid damages.

MORTARING-IN A GLASS ENCLOSURE:

Thermo-Rite assumes no responsibility for discoloration if mortar is used in direct contact with a Thermo-Rite enclosure. Certain types of mortar will have an effect on our solid brass and brass plated finish.

HOW TO OPERATE YOUR GLASS ENCLOSURE:

For best results, start a small fire that will allow the tempered glass to heat gradually. Leave the doors open slightly during the early stages of the fire to help them warm slowly. The fire should be kept at least 6" to 8" from the glass doors. Close the doors when they are warm.

In general, when burning Gas Logs with High BTU Rating (60,000+) with doors closed, irregular flame patterns will result. This situation could cause glass breakage and/or discoloration of the glass door metals. If this happens, we recommend that you burn with the doors open. **Always close curtain mesh when burning with doors open.**

WARNING: NEVER USE GASOLINE, GASOLINE-TYPE LANTERN FUEL, KEROSENE, CHARCOAL LIGHTER FLUID, OR SIMILAR LIQUIDS TO START OR "FRESHEN UP" A FIRE. KEEP ALL SUCH LIQUIDS WELL AWAY FROM THE FIREPLACE WHILE IT IS IN USE.

HOW TO BUILD A FIRE:

A properly built fire will help maximize heat output from your fireplace. For best results, use a sturdy grate or wood basket; place it against the back wall of your fireplace. Use at least three logs.

Follow these instructions for a quick-starting fire:

1. Prepare some kindling (split wood into pieces 1/4" to 2" in diameter). Also select pieces 8" to 10" in diameter (normal fireplace-sized pieces).
2. Crumple several sheets of newspaper tightly and place on top of the grate.
3. Place all of the kindling on top of the newspaper (crisscross fashion).
4. Lay one or more crumpled sheets of newspaper on top of the wood inside the fireplace and light (before lighting, be sure the flue damper is open).
5. After kindling and larger pieces of wood have ignited and are burning, add the normal fireplace-sized pieces of wood. Place wood in fire so air can circulate between the pieces, yet keep pieces as close together as possible.
6. Close the curtain mesh while fire is burning to prevent sparks or hot coals from escaping. If you wish to close the glass doors, do so only after the doors are warmed up. Do not close doors if fire becomes too large. The flames should be kept about 6" to 8" from the glass.

Avoid building a fire too large or hot. Should a fire become too large or hot, open the enclosure's draft all the way and open both glass doors. For extreme cases, a light spray of water directly on the fire will quickly reduce its size and temperature. Use a poker and push the wood to the back of the fireplace.

WARNING: NEVER ALLOW ANY COLD OBJECTS OR WATER TO COME IN CONTACT WITH THE GLASS IN THE DOORS WHEN HOT – BREAKAGE MAY OCCUR.

CLEANING INSTRUCTIONS:

Clean the glass when it is cool with recognized glass cleaner or diluted ammonia. Clean metal finish with a soft damp cloth and dry with a soft cloth. Do not attempt to buff or polish the finish or use paint solvents. The metal is coated with clear, baked lacquer to prevent tarnishing.

NOTE: See-thru fireplaces must use a glass enclosure on both opening sides for the glass enclosure to be functional. Doors on both sides must be either opened or closed while burning a fire or the resulting unequal draft conditions may send the flames and heat directly against the back of the closed enclosure.

CAUTION: THIS ENCLOSURE SHOULD NOT BE INSTALLED ON A PREFABRICATED METAL (NON-MASONRY) FIREPLACE WITHOUT FIRST CONSULTING YOUR LOCAL FIRE CODE INSPECTOR AND THE MANUFACTURER OF THE PREFABRICATED METAL FIREPLACE.

PLEASE READ CAREFULLY BEFORE BEGINNING INSTALLATION

If the enclosure is plastic wrapped, place the enclosure against the fireplace opening to ensure you have ordered the correct size frame before removing the plastic wrap.

Enclosure Frame Installation

Important: The optional Mesh Curtain must be installed to the frame before proceeding with the frame installation. See the installation instructions that come with the mesh curtain. The optional Mesh Doors are to be installed *after* frame installation, but before glass door installation.

Note: It is important that the enclosure frame is installed right-side-up. If it is not obvious which end of the enclosure is the top or bottom, then this can be determined based on the door style of the enclosure. If the door style is CV2, the bottom of the enclosure frame can be identified by the center wedge clip.

CELEBRITY, REVERE AND PARK AVENUE:

HARDWARE INCLUDES: Four (4) “Z” Mounting Brackets, two (2) “L” Mounting Brackets (Park Avenue ONLY), and four (4) ¼” Anchor Bolts and three (3) strips of Fiberglass insulation.

TOOLS NEEDED: #2 Phillips Screwdriver, 3/8” Wrench or Ratchet, Electric Drill, ¼” Masonry Drill Bit and Hammer.

1. Attach the four (4) “Z” Mounting Brackets to the enclosure frame as shown in Figure 1. The “Z” Mounting Brackets shown are attached with the bend inward, but can be flipped so that the bend is outward if required. Note that the Phillips Screws must first be removed. If necessary, the “Z” Mounting Brackets can be flattened with a hammer, and different bends can be made. **CAUTION: BE SURE THAT THE WRENCH DOES NOT SLIP OFF OF THE 3/8” NUT AS IT MAY DENT THE ENCLOSURE FRAME.**
2. Place the fiberglass strips inside the side panels and top bar.
3. Center the enclosure with the installed “Z” Brackets against the fireplace opening. Make sure that the “Z” Mounting Brackets are flat against the fireplace walls. It may be necessary to straighten the “Z” Mounting Brackets against the fireplace walls lightly with a hammer.
4. Drill a hole using a ¼” masonry drill bit through each “Z” Mounting Bracket approximately 1 ½” deep into the firebrick.
5. Insert the four (4) Anchor Bolts into the 1 ½” holes. Attach the “Z” Mounting Brackets to the Anchor Bolts and tighten.

Park Avenue Optional Mounting Method: It is also possible to attach the two (2) “L” Mounting Brackets (see Figure 2) to the bottom of the Park Avenue frame and anchor to the floor.

AIR PRISM, CAMEO, CLASSIC, DÉCOR, LASER, PRISM AND TRADITION:

HARDWARE INCLUDES: Four (4) “L” Mounting Brackets, four (4) ¼” Anchor Bolts and three (3) strips of Fiberglass insulation

(Insulation used only on the Décor and Tradition.)

TOOLS NEEDED: #2 Phillips Screwdriver, Electric Drill, ¼” Masonry Drill Bit and Hammer.

1. Attach the four (4) “L” Mounting Brackets to the enclosure frame as shown in Figure 2. Note that the Phillips Screws must first be removed. If necessary, the “L” Mounting Brackets can be flattened with a hammer, and different bends can be made.
2. Center the enclosure with the installed “L” Brackets against the fireplace opening. Make sure that the “L” Mounting Brackets are flat against the fireplace walls. It may be necessary to straighten the “L” Mounting Brackets against the fireplace walls lightly with a hammer.
3. Drill a hole using a ¼” masonry drill bit through the center slot of each Mounting Bracket approximately 1 ½” deep into the firebrick.
4. Insert the four (4) Anchor Bolts into the 1 ½” holes. Attach the “L” Mounting Brackets to the Anchor Bolts and tighten.
5. Place the fiberglass strips inside the side panels and top bar.

HERITAGE AND NORMANDY (Pressure Fit):

HARDWARE INCLUDES: Four (4) ¼ -20 X 1- ¼” Set-Screws

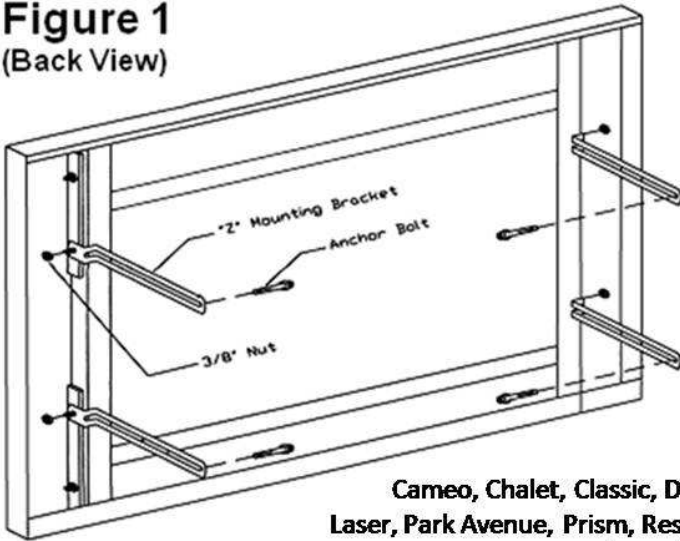
TOOLS NEEDED: ¼” Wrench

1. Center enclosure against the fireplace opening.
2. Insert the Set-Screws into the Tinnerman Nuts, see Figure 3, Back View for Normandy. Tighten the Set-Screws using a ¼” Wrench until frame is secure.

Note: If pressure fit does not work for your fireplace, an optional side mounting kit is available. It includes four (4) straight mounting brackets and anchor bits. To order, contact your dealer and ask for Hardware Kit number 10739.

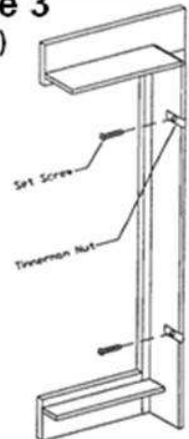
GLASS DOOR INSTALLATION: For CV2 door installation (doors glide in a track), see Page 4 of these instructions.

Figure 1
(Back View)



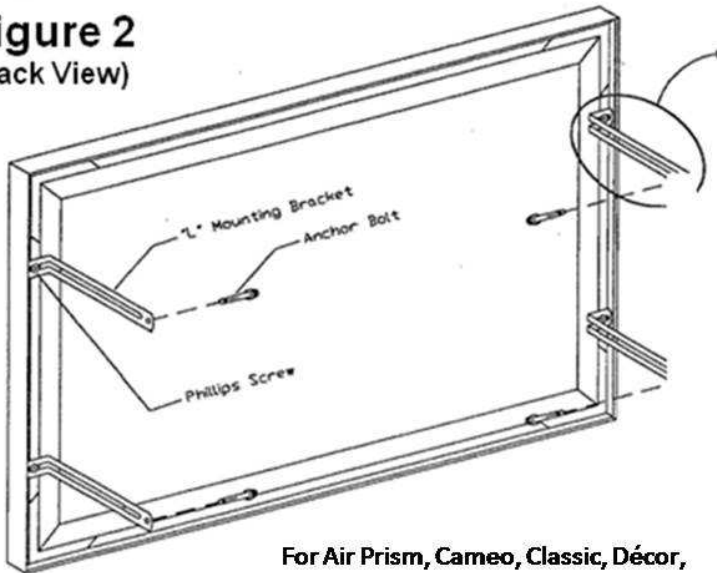
Cameo, Chalet, Classic, Décor,
Laser, Park Avenue, Prism, Reserve,
Revere & Tradition.

Figure 3
(Back View, Right Side)



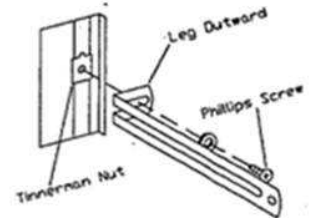
For Heritage Enclosure

Figure 2
(Back View)



For Air Prism, Cameo, Classic, Décor,
Laser, Prism, and Tradition Enclosures.

Overlap Fit



Inside Fit

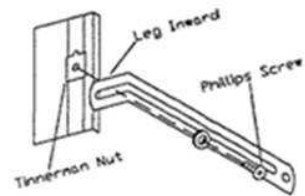
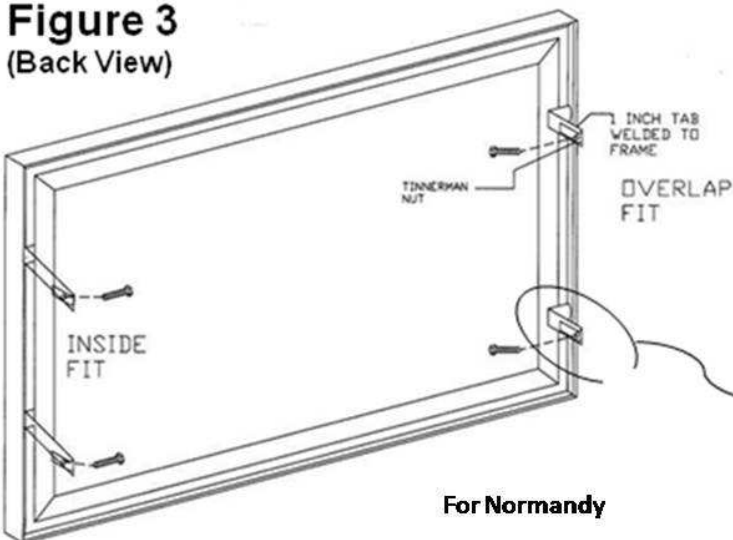


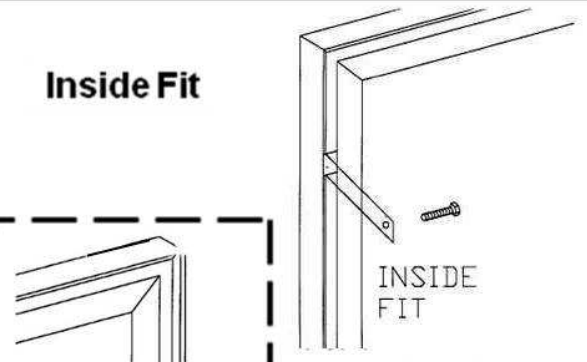
Figure 2a
"L" Bracket Installation

Figure 3
(Back View)

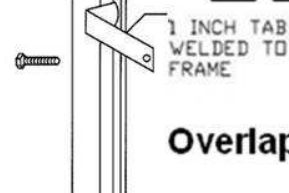


For Normandy

Inside Fit



Overlap Fit



**INSTALLATION INSTRUCTIONS FOR Z-TRACK
FOR MODELS TE54, TE59, AND MJ18**

TO PREVENT FIRE HAZARD IT IS EXTREMELY IMPORTANT THAT FRAME IS CORRECTLY INSTALLED!

TOOLS NEEDED: Electric Drill, 7/64" Diameter Drill Bit, Phillips Screwdriver

HARDWARE: 4 Black Angle Brackets, 4 Drywall Screws 1-5/8" Lg.

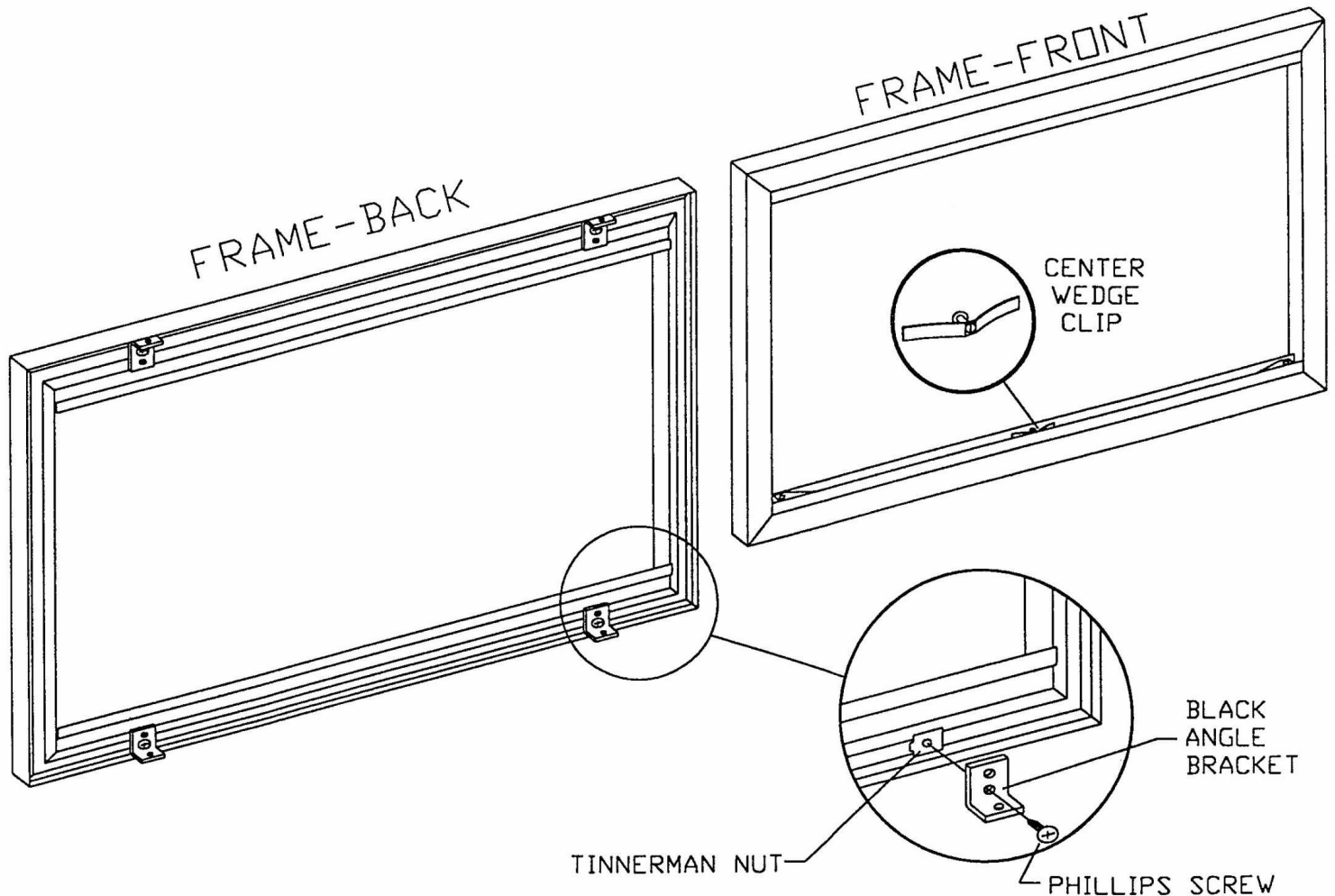
1) Before installing frame, determine which end of the frame is bottom/top. The Center Wedge Clip, shown in Diagram below, would indicate the Bottom of the frame. If the frame doesn't have a Center Wedge Clip, then Latch Catches will indicate the Top of the frame. The Latch Catches are shown in Figure 4 of separate sheet provided that is titled "FULL SWING DOOR INSTALLATION GUIDE".

2) Lay the frame face down on a clean, soft surface. Note the Phillips Screws mounted to Tinnerman® nuts on the top and bottom panels of the frame, See Diagram below.

3) Remove the four Phillips Screws from the top and bottom panels in the back of the frame. Attach the four Black Angle Brackets to the Tinnerman® nut in the back of the frame using the Phillips Screws you just removed, See Diagram below. Note that the short leg of each bracket should be toward the outside of the frame. The Tinnerman® nut can be slid along the slot in the frame when the Phillips Screws are loosened. This will give you flexibility to position the brackets to a solid mounting surface.

4) Position the frame in the fireplace centering left and right. Mark the fireplace at each hole in the four Black Angle Brackets. Remove the frame from the fireplace and drill a pilot hole 7/64" diameter at each of the four marks. Re-position the frame inside the fireplace. Screw the four Drywall Screws through the Angle Brackets and into the pilot holes using a Phillips Screwdriver.

Carefully snug all screws up to the black angle bracket making sure you do not over tighten!



INSTALLATION INSTRUCTIONS FOR Z-LASER

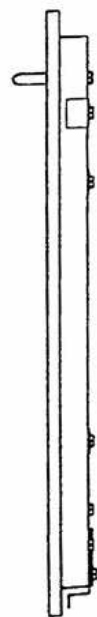
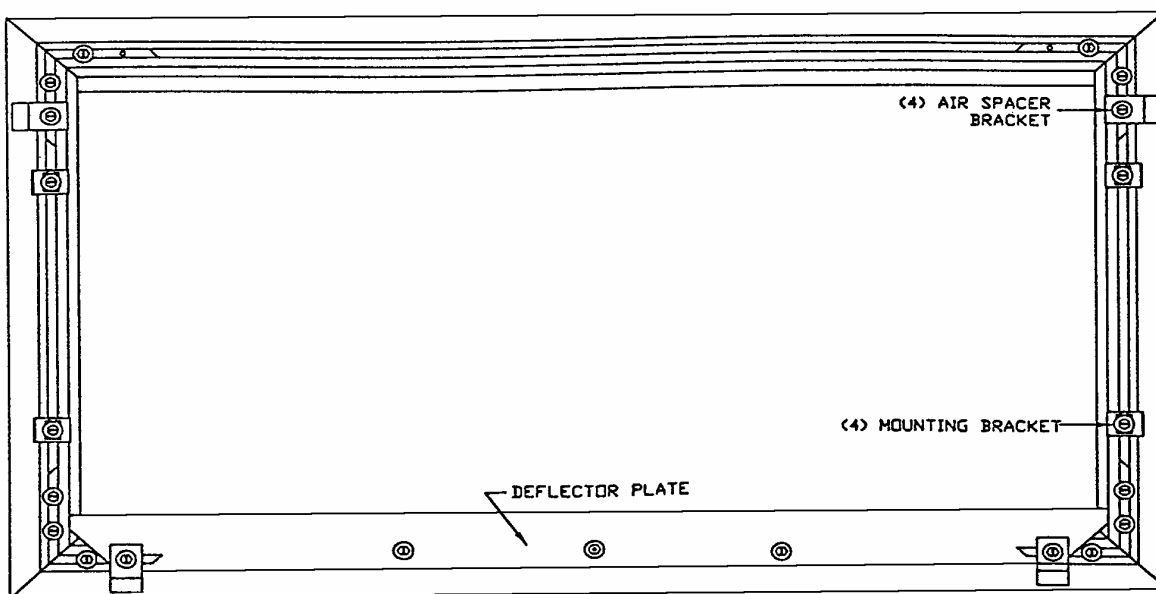
SPECIAL NOTE: DO NOT COVER EXISTING AIR GAPS AROUND OUTSIDE FRAME OF ENCLOSURE! DO NOT REMOVE ANY OF THE FOUR ¼" SPACER BRACKETS FROM THE FRAME. TO PREVENT FIRE HAZARD, IT IS EXTREMELY IMPORTANT THAT FRAME IS CORRECTLY INSTALLED.

PLEASE READ AND UNDERSTAND THESE DIRECTIONS BEFORE YOU BEGIN.

TOOLS NEEDED: Electric Drill, 3/32" Diameter Drill Bit, And A #2 Phillips Screwdriver.

HARDWARE INCLUDES: 4 Mounting Brackets, 4 Sheet Metal Screws ¾" Lg.

- 1) Two ¼" Spacer Brackets attached to the frame indicate the bottom of the enclosure. These spacers elevate the frame to allow air to be drawn in under the frame of the enclosure to cool the firebox. It is important that the frame be installed with the correct side up to insure smooth operation of the doors and proper flow of cooling air.
- 2) Lay the frame face down on a clean, soft surface. Note the two Phillips Screws mounted to Tinnerman® nuts on either side of the frame.
- 3) Remove the four Phillips Screws from the Tinnerman® nuts in the back of the frame. Attach the four Mounting Brackets to the Tinnerman® nuts using the Phillips Screws you just removed. Note that the leg of each bracket should be toward the outside of the frame. The Tinnerman® nuts can be slid up and down the slots in the frame when the Phillips Screws are loosened. This provides flexibility to position the brackets to a solid mounting surface. (See diagram below).
- 4) Center the frame over the fireplace making sure that frame is resting on the ¼" Spacer Brackets. Mark fireplace at each hole in the four Mounting Brackets. Remove the frame from the fireplace and drill a pilot hole 3/32" diameter at each of the four marks. Re-position the frame into the fireplace and insert the sheet metal screws. **Carefully snug all screws up to the angle bracket making sure you do not over tighten!** The enclosure may be centered by loosening one side and tightening the other.
- 5) Install the left and right glass doors into the frame. Fold the glass panes together or slightly open with the handles up. Tilt the doors at an approx. 45 degree angle and insert the bottom pivot pin into the retainer clip located in the bottom corner of the door track. Stand the door up vertically and snap the top pivot pin into the retainer clip located inside the top corner of the door track. Repeat the same procedure for the other pair of doors.
- 6) The doors are pre-aligned at the factory. If adjustment is needed the four screws securing the retainer clips in the four corners of the door tracks can be loosened and the doors moved to the left or right.



SIDE VIEW

**INSTALLATION INSTRUCTIONS FOR Z-DOOR
FOR MODELS MT48, MT49**

TO PREVENT FIRE HAZARD IT IS EXTREMELY IMPORTANT THAT FRAME IS CORRECTLY INSTALLED!

TOOLS NEEDED: Electric Drill, 7/64" Diameter Drill Bit, Phillips Screwdriver

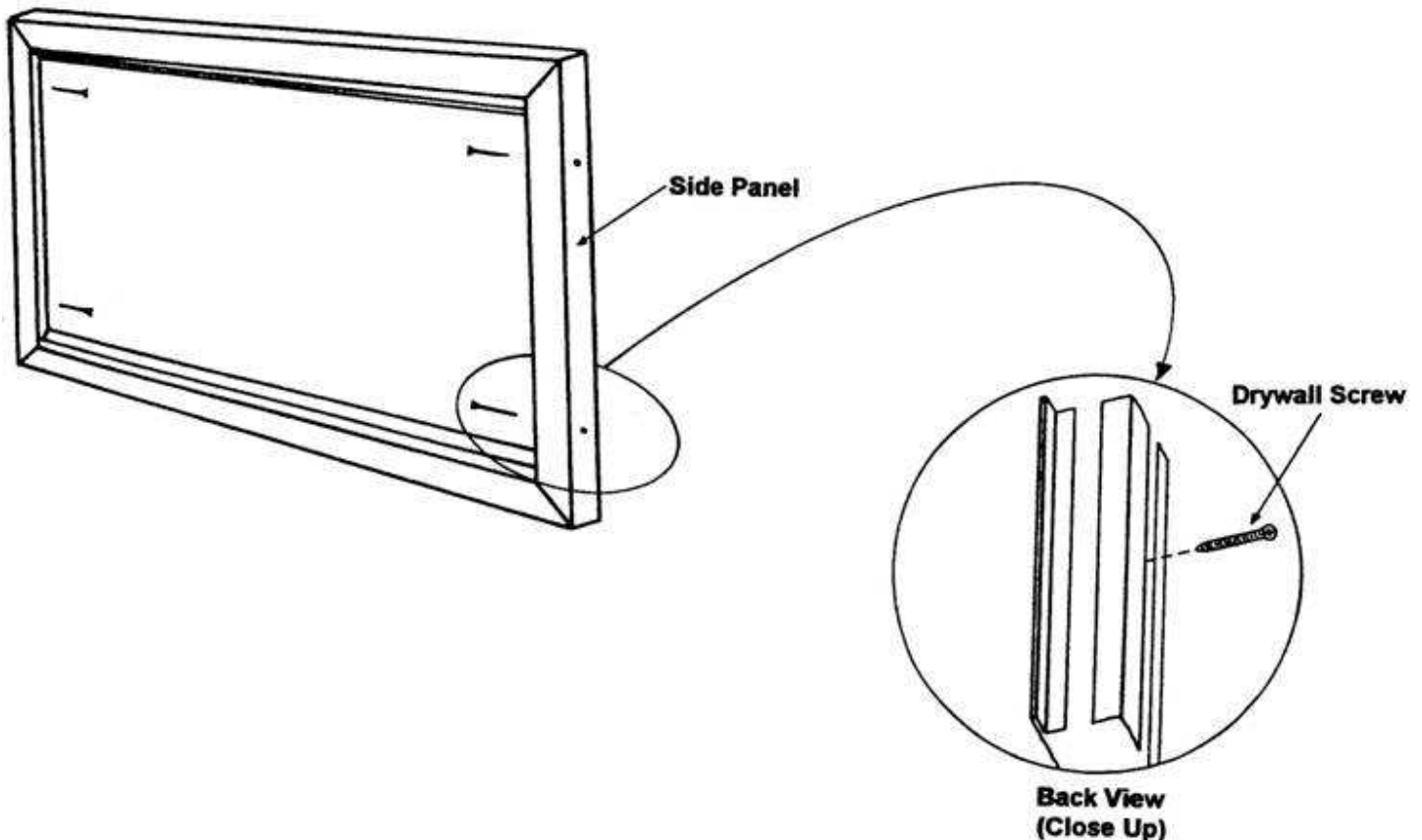
HARDWARE: 4 Black Angle Brackets, 4 Drywall Screws 1-5/8" Lg.

1) The spacers ("Air Studs") pop riveted to the frame indicate the bottom of the enclosure. These spacers elevate the frame to allow air to be drawn in under the frame of the enclosure to cool the firebox. In some cases there may be a black "Air Draft Bar" instead of the "Air studs". The Air Draft Bar also indicates the bottom of the enclosure. If there are no Air Studs or Air Draft Bar, the Center Wedge Clip located inside the track in the center of the door frame indicates the bottom of a CV-2 enclosure. Two bullet catches in the track indicate the top of an FS-2 or CV-1 enclosure. It is important that the frame be installed with the correct side up to insure smooth operation of the doors. The Latch Catches are shown in Figure 4 of separate sheet provided that is titled "FULL SWING DOOR INSTALLATION GUIDE".

2) Lay the frame face down on a clean, soft surface. Note the Phillips Screws mounted to Tinnerman® nuts on the top and bottom panels of the frame, See Diagram below.

3) Remove the four Phillips Screws from the top and bottom panels in the back of the frame. Attach the four Black Angle Brackets to the Tinnerman® nut in the back of the frame using the Phillips Screws you just removed, See Diagram below. Note that the short leg of each bracket should be toward the outside of the frame. The Tinnerman® nut can be slid along the slot in the frame when the Phillips Screws are loosened. This will give you flexibility to position the brackets to a solid mounting surface.

4) Position the frame in the fireplace centering left and right. Mark the fireplace at each hole in the four Black Angle Brackets. Remove the frame from the fireplace and drill a pilot hole 7/64" diameter at each of the four marks. Re-position the frame inside the fireplace. Screw the four Drywall Screws through the Angle Brackets and into the pilot holes using a Phillips Screwdriver.
Carefully snug all screws up to the black angle bracket making sure you do not over tighten!



INSTALLATION INSTRUCTIONS FOR Z-HERITAGE

**SPECIAL NOTE: DO NOT COVER EXISTING AIR GAPS AROUND OUTSIDE FRAME OF ENCLOSURE!
DO NOT REMOVE ANY OF THE FOUR 1/4" SPACER BRACKETS FROM THE FRAME.
TO PREVENT FIRE HAZARD, IT IS EXTREMELY IMPORTANT THAT FRAME IS CORRECTLY INSTALLED.**

PLEASE READ AND UNDERSTAND THESE DIRECTIONS BEFORE YOU BEGIN.

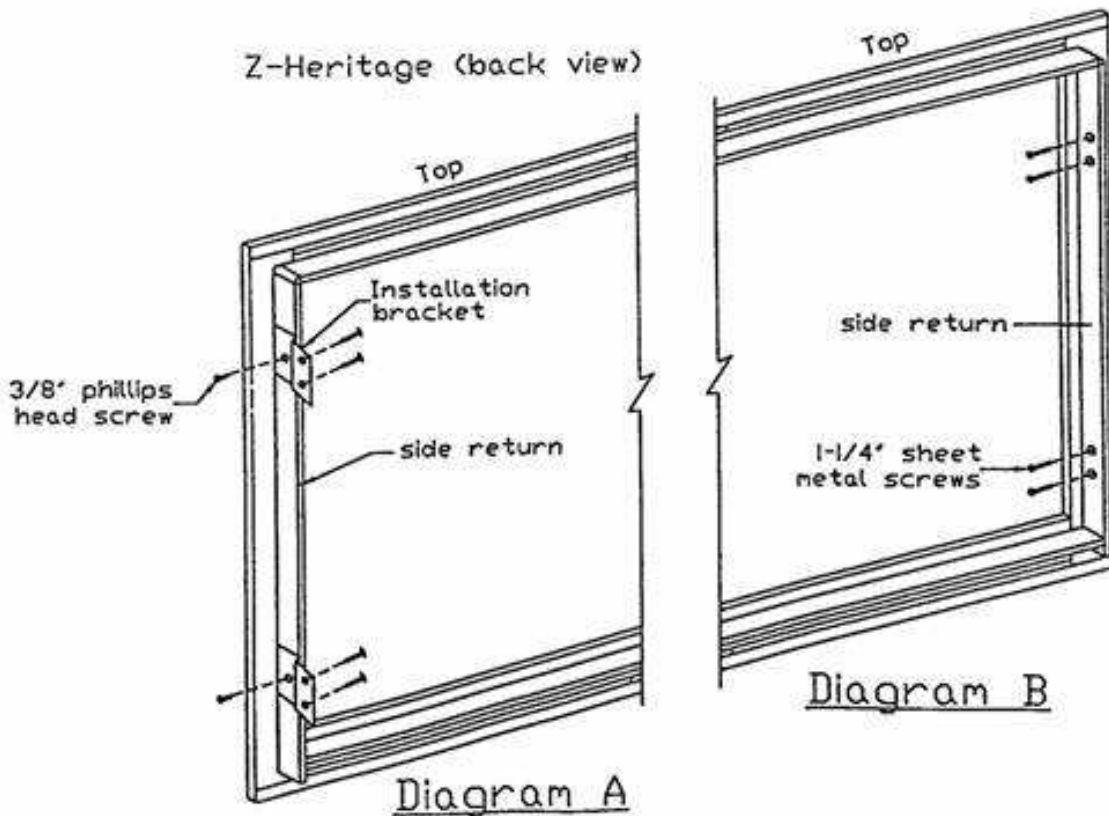
TOOLS NEEDED: ELECTRIC DRILL, 3/32" DIAMETER DRILL BIT, AND A #2 PHILLIPS SCREWDRIVER.

HARDWARE INCLUDES: 8 SHEET METAL SCREWS 1-1/4" LG, 4 PHILLIPS HEAD SCREWS 3/8" LG., 4 WASHERS AND 4 INSTALLATION BRACKETS.

1) It is important that the frame be installed with the correct side up to insure smooth operation of the doors and proper flow of cooling air. Two bullet catches in the track indicate the top of an FS-2 or CV-1 enclosure. The Center Wedge Clip located inside the track in the center of the door frame indicates the bottom of a CV-2 enclosure.

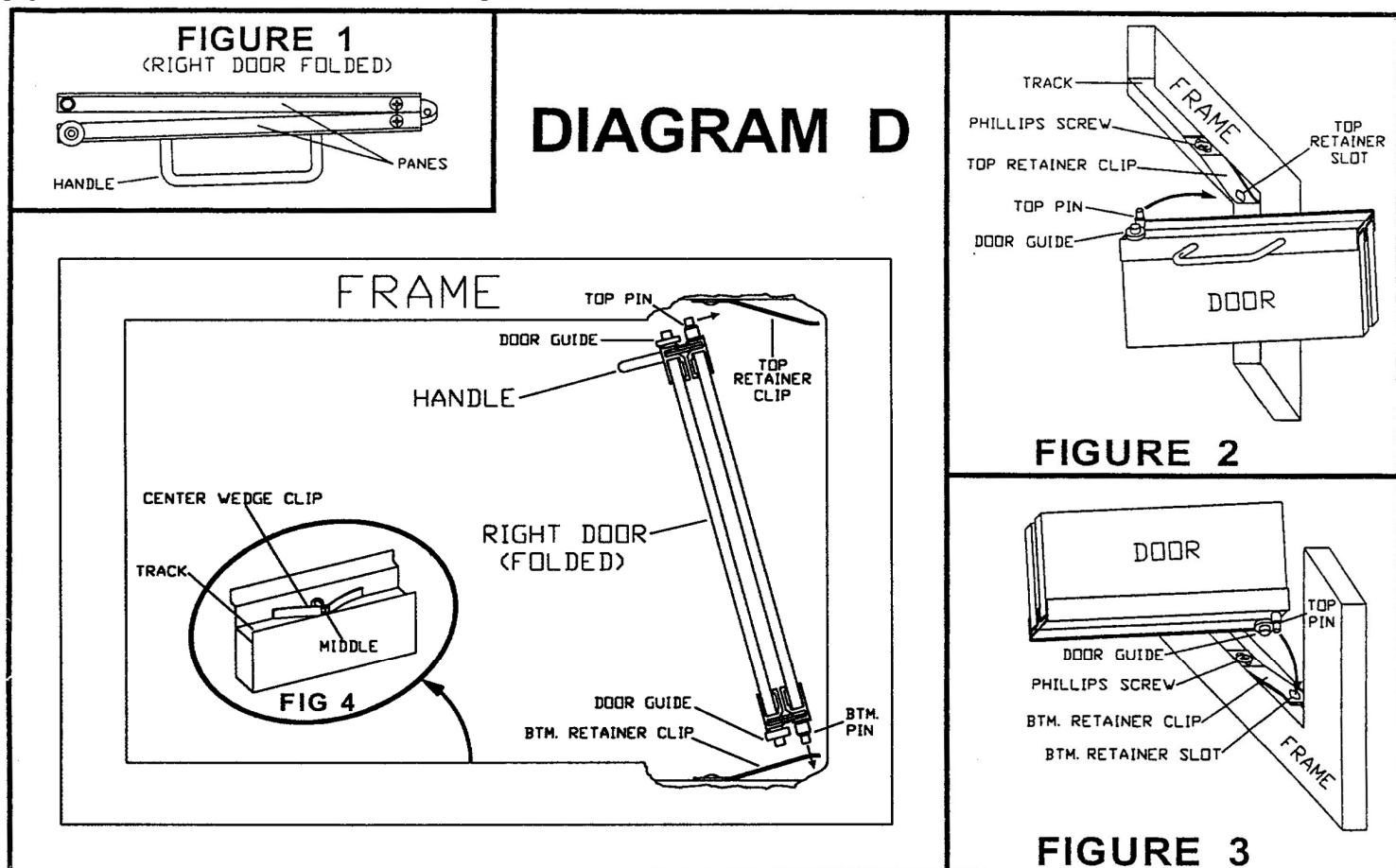
2) Installation using installation brackets (see Diagram A below). Attach all four installation brackets to outside of the side returns on frame using one 3/8" Phillips head screw and washer per bracket. There are two holes, top and bottom on side returns, and either one can be used. After the installation brackets are attached to the frame center the frame over the fireplace and determine if the installation brackets are bent to the correct contour. If the brackets need to be bent for a better installation the brackets can be bent by hand. Once the frame is centered and the brackets are positioned correctly the frame can be fastened to the fireplace by inserting two sheet metal screws into each of the installation brackets. *Carefully snug all screws up to the installation bracket making sure you do not over tighten!*

3) Installation for through frame mount (see Diagram B below). Center the frame over the fireplace. Mark the fireplace at each hole in the side returns of the frame. Remove the frame from the fireplace and drill a pilot hole 3/32" diameter at each of the marks. Reposition the frame into the fireplace and insert the sheet metal screws. *Carefully snug all screws up to the installation bracket making sure you do not over tighten!* The enclosure may be centered by loosening one side and tightening the other.



CV2 DOOR INSTALLATION, ADJUSTMENT AND REMOVAL

NOTE: There are three types of doors made by Thermo-Rite: the ClearView Bifold CV2, the ClearView Bifold Full Swing FS2, and the ClearView Twin Full Swing CV1. The CV2 and FS2 have two glass panes in each door, and the CV1 has one. The CV2 opens and closes by gliding within a track. The FS2 and CV1 are Full Swing and can be opened out away from the fireplace. Refer to the instructions on this page for CV2 doors. Refer to instructions on separate sheet for FS2 and CV1.



CV2 DOOR INSTALLATION: Fold panes of right door back to back with handle up as shown in Figure 1. Tilt door so that it fits inside frame as shown in Diagram D. Next, insert Bottom Pin into Bottom Retainer Slot as shown in Figure 3. Then tilt top of door toward vertical position making sure that all Pins and Door Guides are inside Track. Finally, slide Top Pin along Top Retainer Clip until Top Pin snaps into Top Retainer Slot, see Figure 2. Repeat procedure for left door.

CV2 DOOR ADJUSTMENT: The doors can be adjusted by changing the location of the door inside the frame. The door may need adjustment for several reasons. One would be that the doors do not fully close because they hit in the center of frame. Another would be that there is a noticeable gap in the center between the closed doors. If doors appear to close in correct position but do not latch (both doors do not stay closed), then there is a misalignment between the doors and the Center Wedge Clip. The Center Wedge Clip is located in the center of the bottom Track, see Figure 4. In order to stay closed, the left and right doors must meet in the Middle of the Center Wedge Clip.

To adjust doors, first loosen, but do NOT remove the Phillips Screw that holds the Retainer Clip to the frame, See Figure 2 and 3. Move door to desired position then tighten screw. Repeat procedure for other Retainer Clips as needed. Operate doors to check alignment and repeat procedure if necessary.

CV2 DOOR REMOVAL: Open door all the way until glass panes are back to back. While pushing down on door, push up on Top Retainer Clip with finger to free Top Pin and rotate top of door toward center of frame, see Diagram D and Figure 2. Carefully remove door.

LIMITED WARRANTY POLICY

Thermo-Rite warrants all new enclosures to be free from defects in material and workmanship for a period of 5 years from the ultimate sale or installation if performed by the dealer. The warranty is void if damage is due to improper installation or improper operation. Thermo-Rite warrants tempered glass for a lifetime to the original owner. Commercial applications and CV1 glass wider than 13" are excluded. If the glass should break within this period, Thermo-Rite will supply panels free of charge except for the UPS shipping charges. If customer or dealer wants Thermo-Rite to install glass, a fee of \$10.00 plus freight both ways will be charges for each piece. In this case, a Return Goods Authorization (RGA) must be issued. To obtain replacement glass, customer or dealer must supply Thermo-Rite with a copy of proof of purchase date to receive a no-charge invoice on the glass.

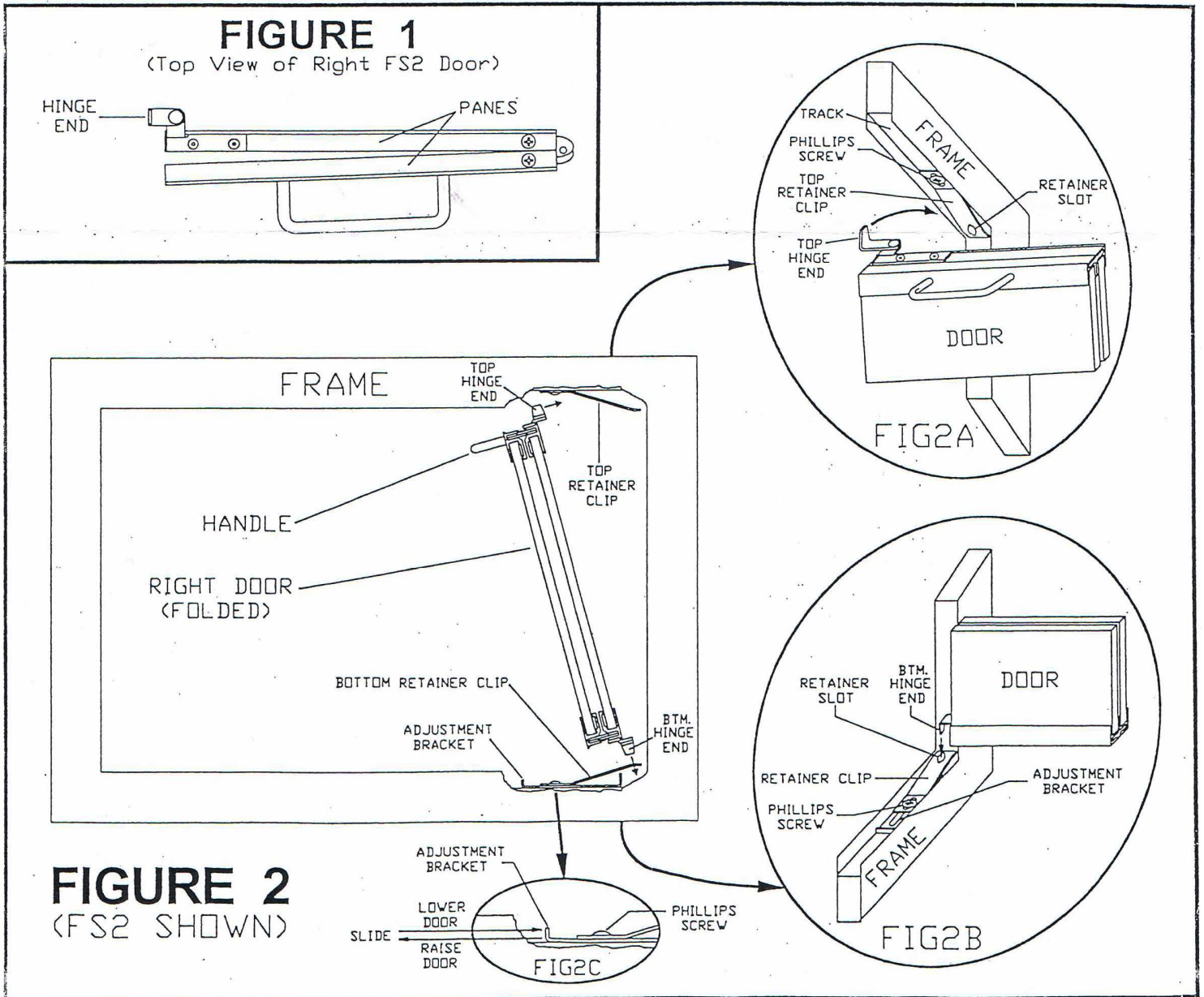
MADE IN U.S.A.

FULL SWING DOOR INSTALLATION GUIDE FOR FS2 AND CV1 MODELS

IMPORTANT: Check frame for proper installation before proceeding with these instructions. Make sure that frame is plumb (in vertical position). Do not assume that frame is plumb because it is against or inside the fireplace. The fireplace itself may not be plumb. Also, make sure that frame is installed with Latch Catches at top, See Figure 4 on back.

TOOLS NEEDED: Phillips Head Screwdriver, Flat Screwdriver, Pliers

- 1) Fold glass Panes of door together (FS2 door). Rotate Hinge Ends in position shown in Figure 1.
- 2) See Figure 2. Tilt door so that it fits inside installed frame and insert Bottom Hinge End into Retainer Slot of Bottom Retainer Clip, See Figure 2B. Push down on top of door and slide toward vertical position, see Figure 2A. Guide Top Hinge End around head of Phillips Head Screw by pulling door down and toward front of Track. Next, slide Top Hinge End in center of Top Retainer Clip. The Top Hinge End will force the Top Retainer Clip to bend. It may be necessary to guide the Top Hinge End over the Top Retainer Clip with a Flat Screwdriver or finger to prevent top Hinge End from rotating. Continue to slide Top Hinge End over Top Retainer Clip until the Top Hinge End snaps into the Retainer Slot.
- 3) Repeat above procedure for left door. If doors do not operate properly, see Full Swing Adjustment on next page

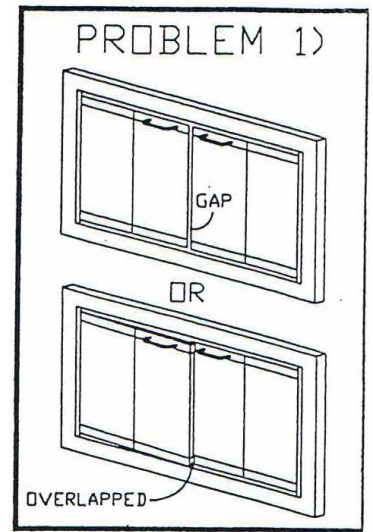


IMPORTANT NOTE: Any of the problems detailed on this page may occur if frame is not plumb (in vertical position). Do not assume that the frame is plumb because it is against or inside the fireplace. The fireplace itself may not be plumb. If necessary, adjust frame installation so that it is as near plumb as possible.

1) **PROBLEM:** Doors do not meet at center. Doors are either overlapped or there is a gap in-between the doors.

SOLUTION: One or both doors needs adjusted inside the frame. To adjust door, first open door so that it extends out 90° then fold panes (FS 2 door). The door can be moved in toward the center of frame or out away from the center of the frame by moving the Retainer Clip at the Top or Bottom, See Figure 2A and 2B on the other side of the page. To do this, first loosen, but do not remove the Phillips Head Screw. The Retainer Clip will slide underneath the Phillips Screw. Move door in or out from center of frame as needed. On the bottom, be sure to keep Adjustment Bracket in same position relative to Bottom Retainer Clip (if unable to do so, see 4) below). Tighten Phillips Head Screw. Repeat above procedure if doors still do not meet at center.

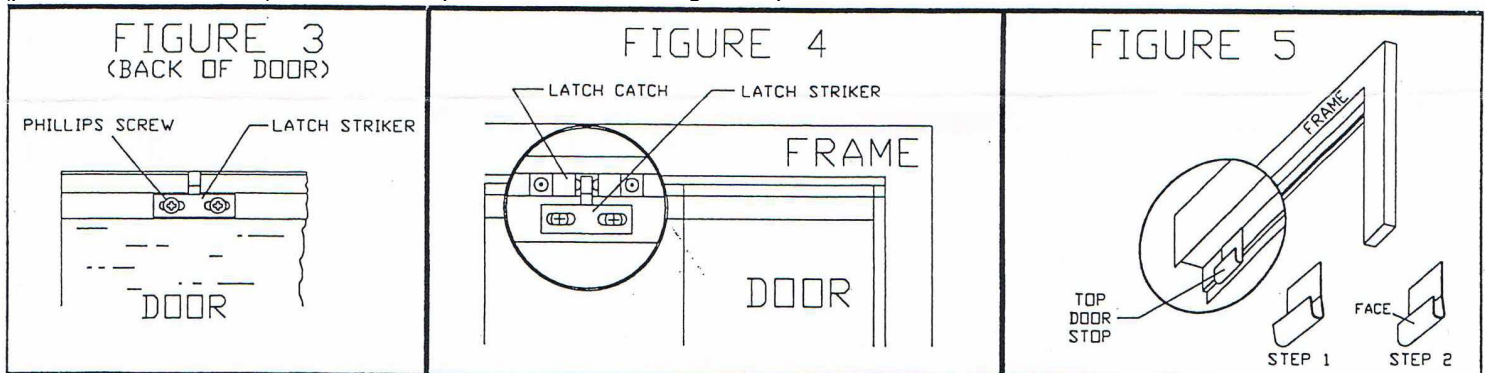
The latch will most likely require adjustment since the position of the door has been changed. See 2) **SOLUTION** to readjust latch.



2) **PROBLEM:** Door does not close or does not latch properly.

SOLUTION: There is probably a misalignment between the Latch Striker and the Latch Catch. The Latch Striker which is located on the back of the glass channel (see Figure 3), may need adjustment. The Latch Striker can be adjusted from side to side by first loosening the Phillips Screws. Then, move the Latch Striker so that it is lined up with the Latch Catch, see Figure 4. Close the door to verify that the Striker is lined up with the Catch, then tighten the Phillips Screws. Make sure that the Striker is in center of Catch or it will not latch effectively.

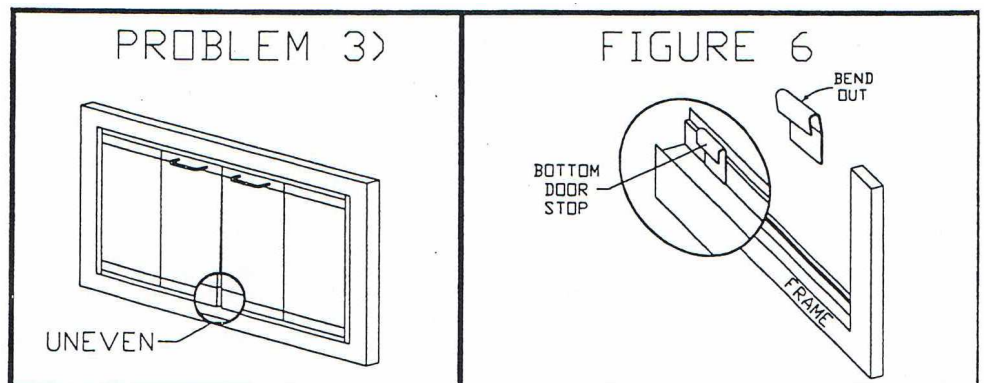
If Striker is in center of Catch, but does not latch effectively, the Top Door Stop probably needs to be adjusted, See Figure 5. Adjust Top Door Stop in two steps; **STEP 1:** bend Door Stop in toward fireplace. **STEP 2:** Push in Face until it is even (parallel with the frame). The Door Stop can be bent with fingers or pliers.



3) **PROBLEM:** Doors are uneven at Bottom Center (one door sticks out beyond other).

SOLUTION: if the doors are uneven by less than 1/8", the doors can be evened by adjusting the bottom Door Stop, See Figure 6. This is done by bending the Door Stop out with fingers or pliers.

If doors are uneven by 1/8" or MORE, the frame installation will need to be changed. See **IMPORTANT NOTE** above.



4) **PROBLEM:** Door is not snug inside frame (loose at top near hinge), or door does not fit inside frame.

SOLUTION: Door height must be adjusted. See Figure 2C on previous page. To adjust height, first loosen Phillips Screw. Then slide Adjustment Bracket toward center to raise door, or slide Adjustment Bracket away from center to lower door. If door is installed, lift door to take pressure off so that Adjustment Bracket will slide. Adjustment Bracket can be moved with fingers or pliers.